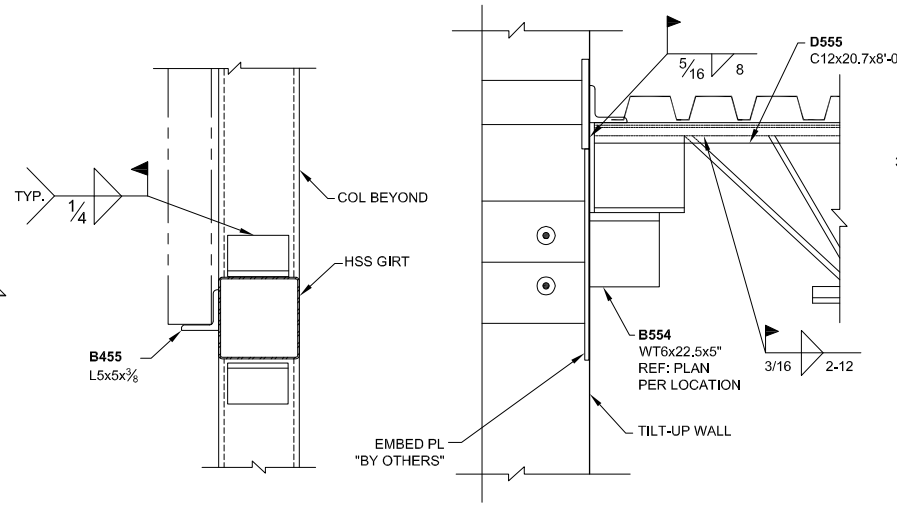
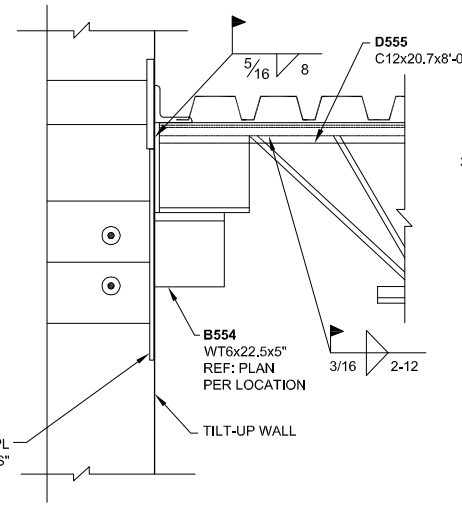


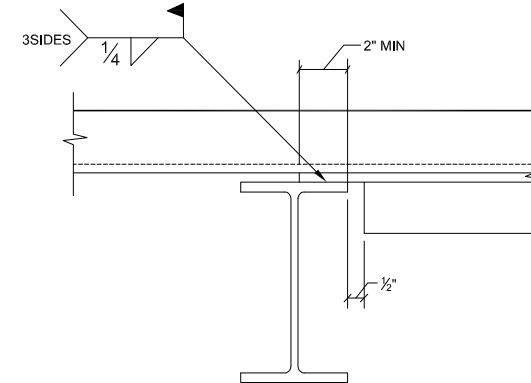
SECTION-1
(REF. 10/S5.02)



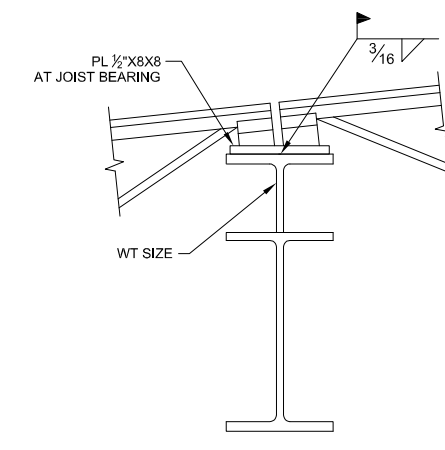
SECTION-2
(REF. 3/S5.14)



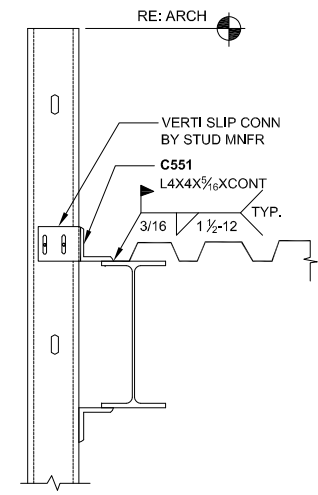
SECTION-3
(REF. 5/S5.02)



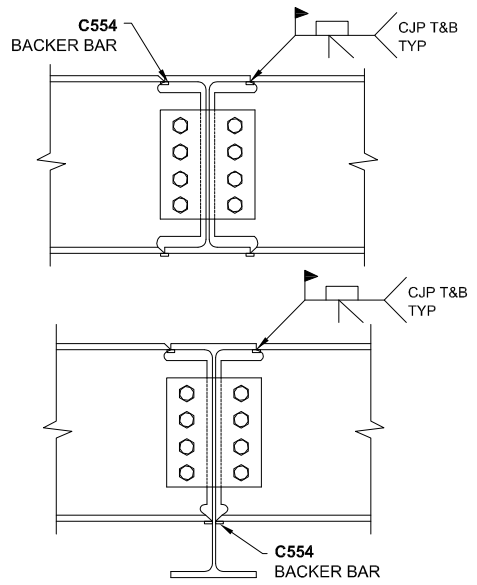
SECTION-4
(REF. 6/S5.21)



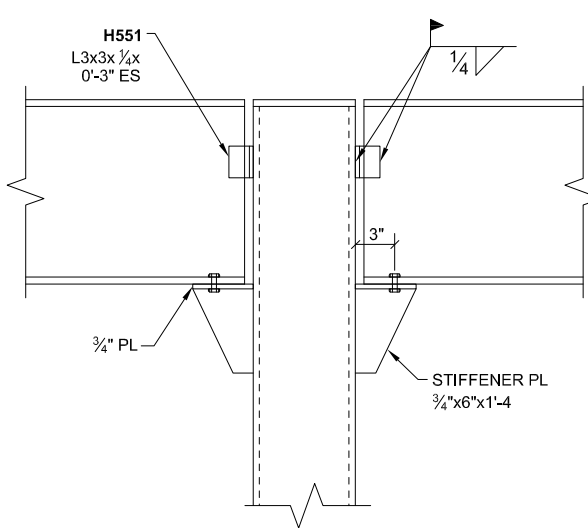
SECTION-5
(REF. 14/S5.21)



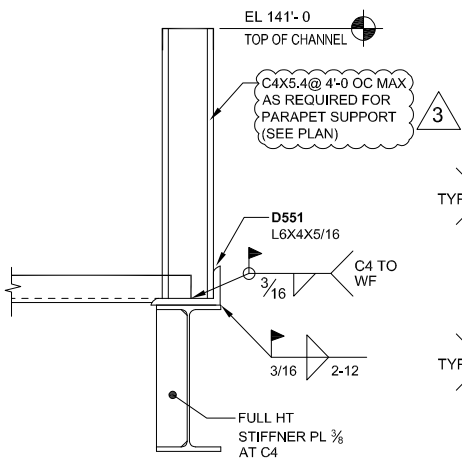
SECTION-6
(REF. 15/S5.20)



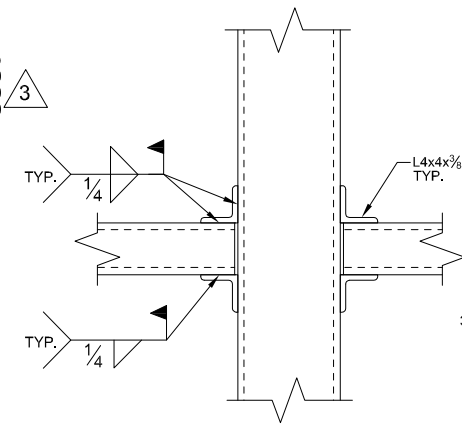
SECTION-7
(REF. 8/S5.01)
TYPICAL MOMENT CONNECTION



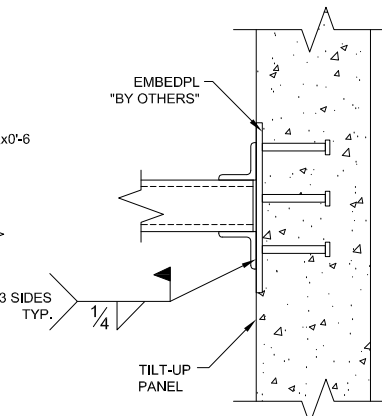
SECTION-8
(REF. 3/S5.00)



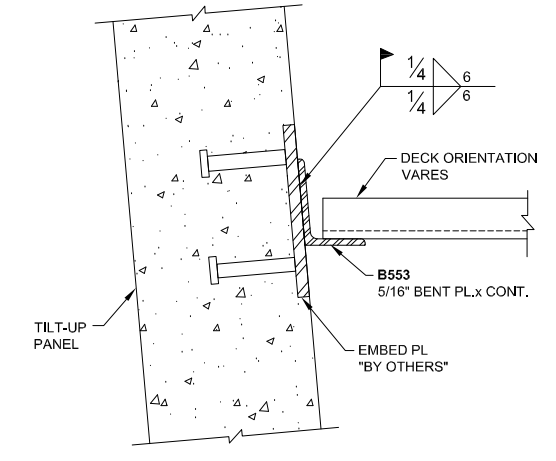
SECTION-9
(REF. 14/S5.20)



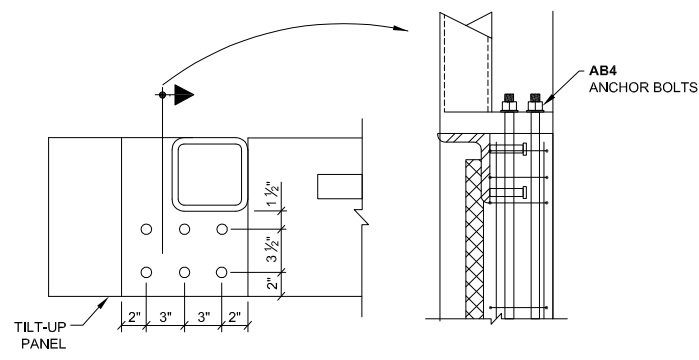
DETAIL-10
(REF. 2/S5.14)



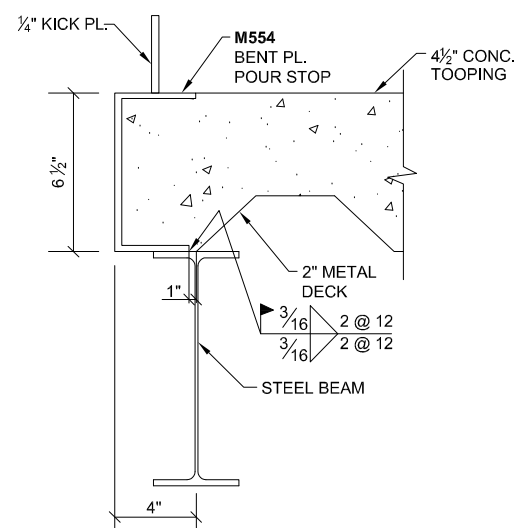
DETAIL-11
(REF. 14/S5.14)



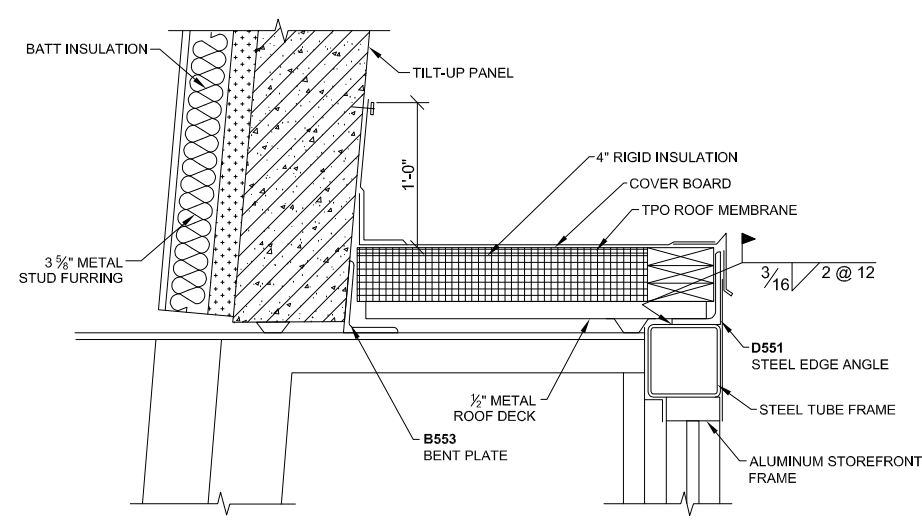
SECTION-12



SECTION-13
(REF. 11/S5.02)



SECTION-14
(REF. 21/A8.2)



SECTION-15
(REF. 54/A4.0)

△						
△						
△						
△						

REV	BY	CHK'D	REVISION DESCRIPTION	APPL	SHOP	FIELD

DESCRIPTION	SAMPLE DRAWING					
REF:						
STRUCTURE						
LOCATION						
CUSTOMER						
ERECTION BY						
ARCHITECT						SHEET
Dwg. By		DATE				
Checked By		DATE				JOB NO.