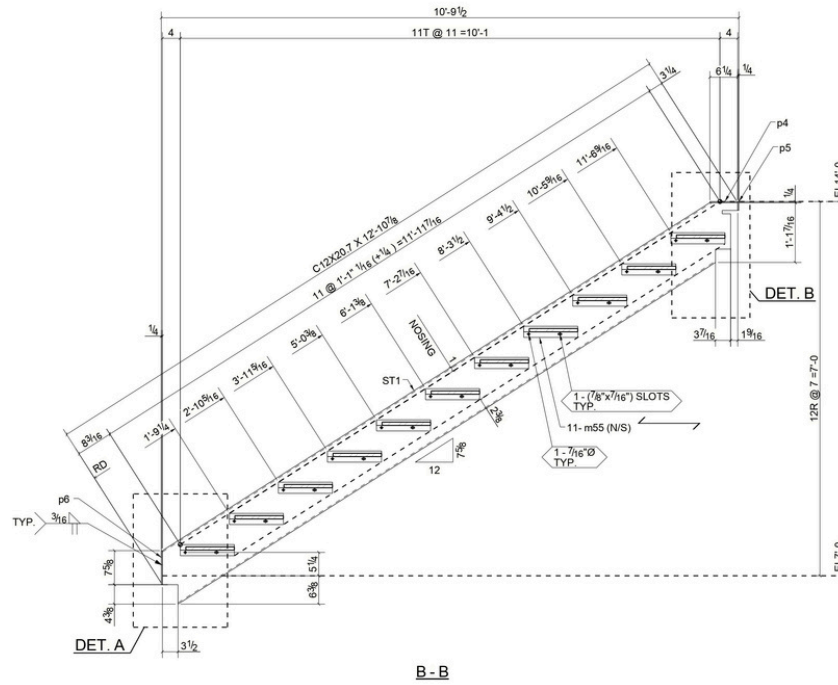
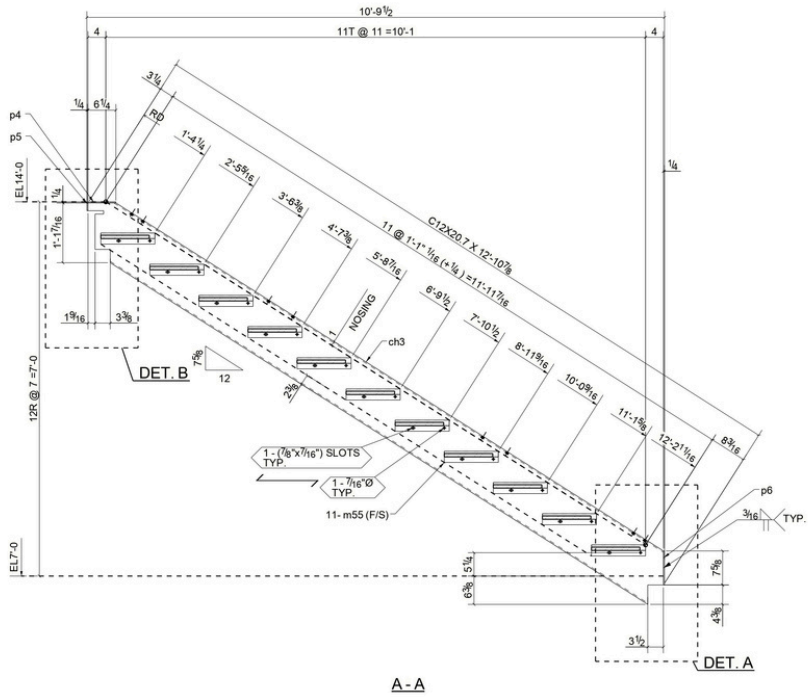


TYPICAL PAN DETAIL

DETAIL A

DETAIL B



A - A

B - B

ONE - STAIR - ST1

BILL OF MATERIAL

MARK	QTY	DESCRIPTION	LENGTH	WEIGHT	REMARKS
ST1	1	STAIR			REV-2
ST1	1	C12X20.7	12'-10 7/8"	267	300W
ch3	1	C12X20.7	12'-10 7/8"	267	300W
m55	11	GRTG1 1/4"X12 1/8"	3'-1 5/8"	1826	BUY OUT
p4	2	PL 1/4"X3"	0'-6 1/4"	3	300W
p5	2	PL 1/4"X2"	0'-3"	1	300W
p6	2	PL 1/4"X3"	0'-7 5/8"	3	300W
44		3/8"Ø A307 BOLT	0'-1 1/2"	3	Workshop
TOTAL WEIGHT THIS DRAWING				2370	

SAMPLE DRAWING